



VG264214
Vario gas cooktop 200 series
Stainless steel control panel
Width 60 cm
Natural gas 20 mbar

Can be combined with the cooktops of the Vario 200 series to a harmonic unity.

Generous control panel for comfortable and secure operation.
Solid smooth-surface cast pan supports for easy and safe positioning of cookware.
9.4 KW on 4 burners

Cooking zones

2 high output burners (560 – 2800 W), suitable for pots up to max. ø 22 cm.
2 standard burners (380 – 1900 W), suitable for pots up to max. ø 22 cm.

Handling

Control knobs with cooking zone and output level markings.
One-handed operation.
Electric ignition.
Gas valve with fine control.

Features

Two-part cast pan support with continuous pot surface.
Enamelled burner cover.

Safety

Thermoelectric safety pilot.

Planning notes

Special nozzles can be ordered as spare parts.
Air intake from above.
No intermediate shelf required.
Appliance can be snapped into the worktop from above.
Securing rail on the rear and the front.
A minimum lateral clearance of at least 150 mm from adjacent heat-sensitive furniture or contact surfaces must be observed or thermal insulation fitted.
An air extraction hood is necessary when installing several Vario gas cooktops with an overall output of more than 11 kW.
Special nozzles (order 2 of each):
Part No. 433603 Natural gas 20 mbar
Part No. 419831 Liquid gas 30 mbar
Part No. 419830 Liquid gas 50 mbar

Connection

Total connected load gas 9.4 kW.
Total connected load electric 1.0 W.
Connecting cable 1.4 m with plug.

Characteristics

Product name/family
gas hob w integrated controls
Built-in / Free-standing
CONSTR_TYPE.Built-in
Energy input
Gas
Total number of positions that can be used at the same time
4
Required niche size for installation (HxWxD)
55 x 560 x 490
Width of the product (mm)
580
Dimensions of the product (mm)
55 x 580 x 523
Dimensions of the packed product (HxWxD) (mm)
162 x 605 x 693
Net weight (kg)
13.0
Gross weight (kg)
16.0
Residual heat indicator
without
Location of control panel
Hob front
Basic surface material
brushed stainless steel
Color of surface
Stainless steel
Color of frame
Stainless steel
Approval certificates
CE, DVGW, TSE, VDE
Length of electrical supply cord (cm)
140
EAN code
4242006190804

Consumption and connection features

Electrical connection rating (W)
1
Gas connection rating (W)
9400
Current (A)
10
Voltage (V)
220-240
Frequency (Hz)
60; 50

created on 2017-12-05

Page 1

Color Variants

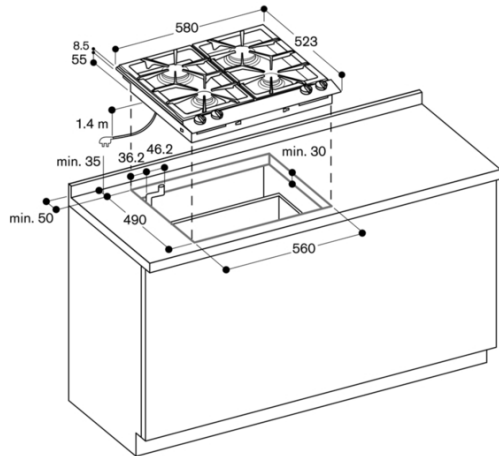
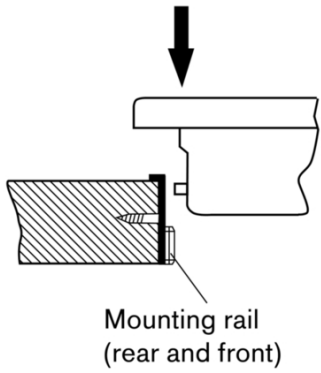
VG264214
Stainless steel control panel
Width 60 cm

Optional accessories

VD201014
Brushed stainless steel appliance cover

Installation Accessories

SH260000
Hinge holder for fitting the appliance cover
VV200014
Stainless steel connection strip for combination with further Vario cooktops



Gas connection

